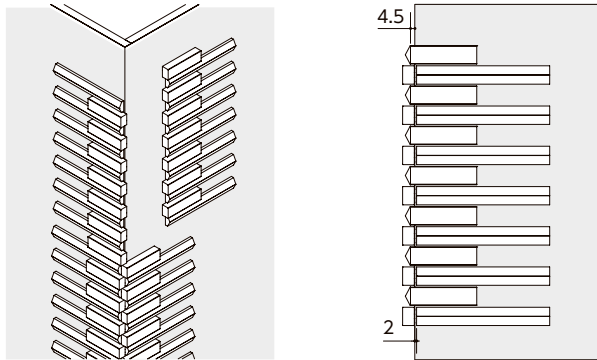


■ Installation (External Corner)



An external corner can be tiled with combinations of External Corner Starter Units and their vertically flipped Units (brick joint). Allow a joint width of 2 mm between the back faces of each unit and side faces of the combined units.

■ Installation Photo

