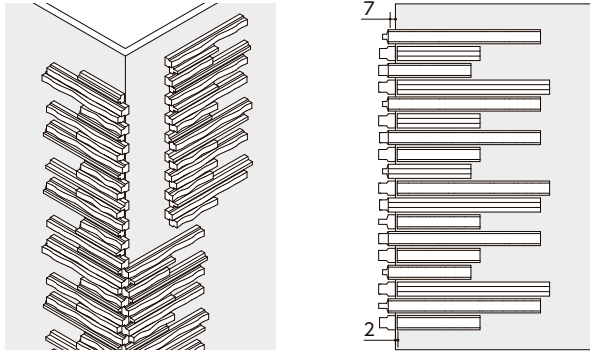


**■ Installation (External Corner)**

An external corner can be tiled with combinations of External Corner Starter Units and their vertically flipped Units. Allow a joint width of 2 mm between the back faces of each unit and side faces of the combined units.

**■ Installation Photo**